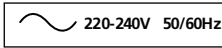


IS1600



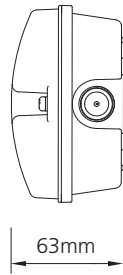
IS500



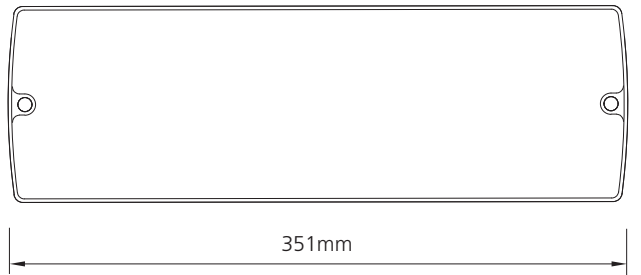
220-240V 50/60Hz



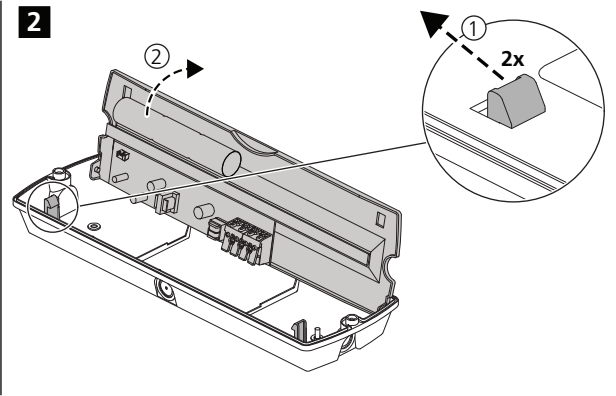
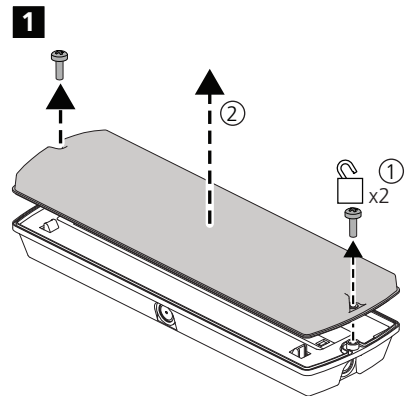
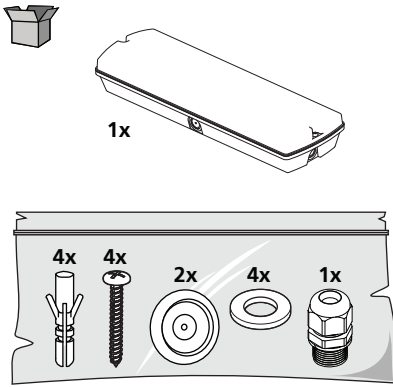
ta 0°C...+45°C



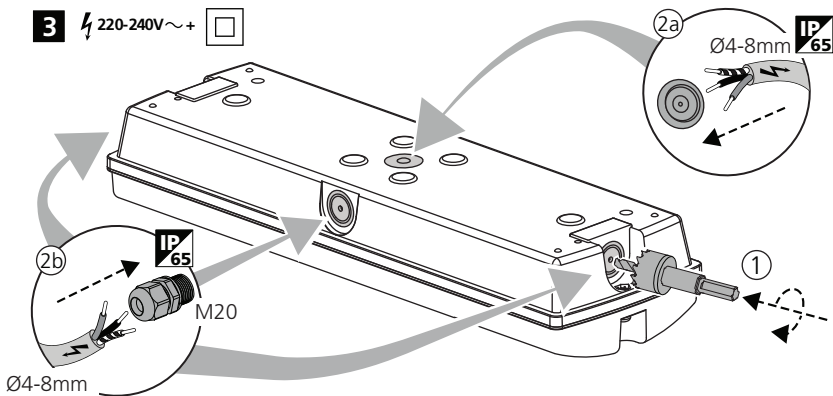
111mm



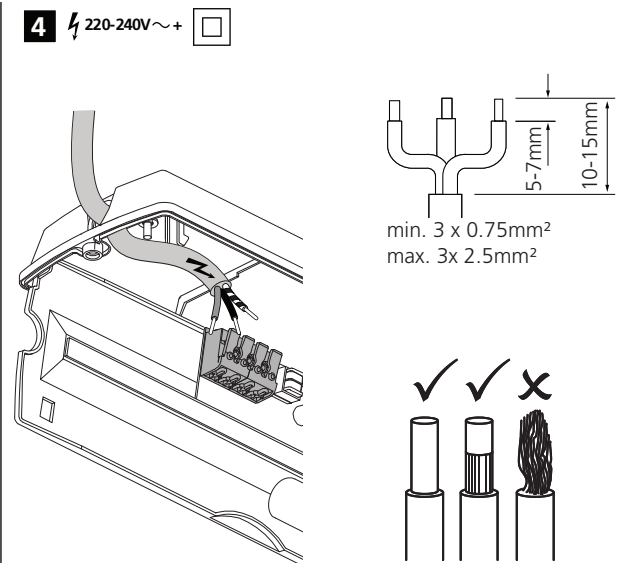
351mm



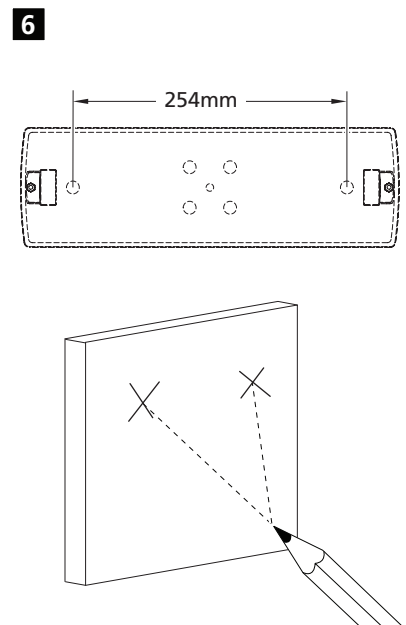
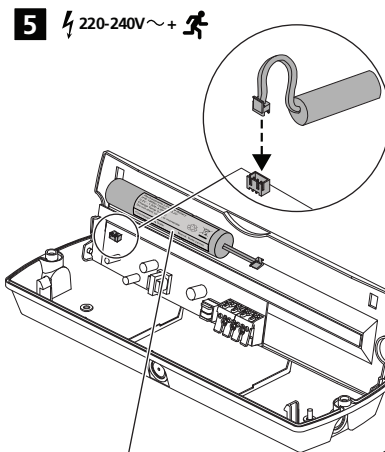
3 ⚡ 220-240V~+ □



4 ⚡ 220-240V~+ □



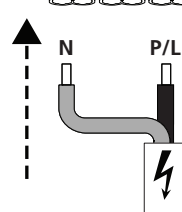
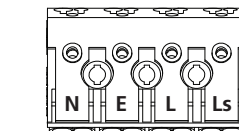
5 ⚡ 220-240V~+ ⚡



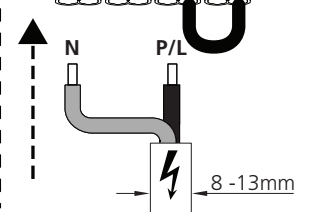
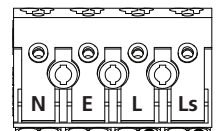
Rechargeable LiFePO4 Battery
IFR-18650-1500mAh-3.2V
3.2V - 1.5Ah 4.8Wh
Charge Temp 0-60°C
Do not short circuit or incinerate

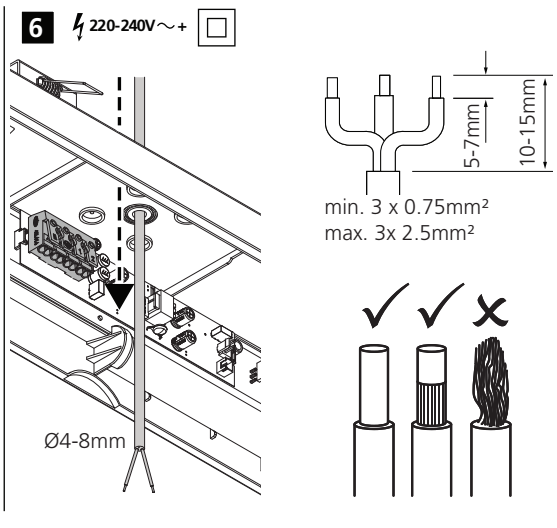
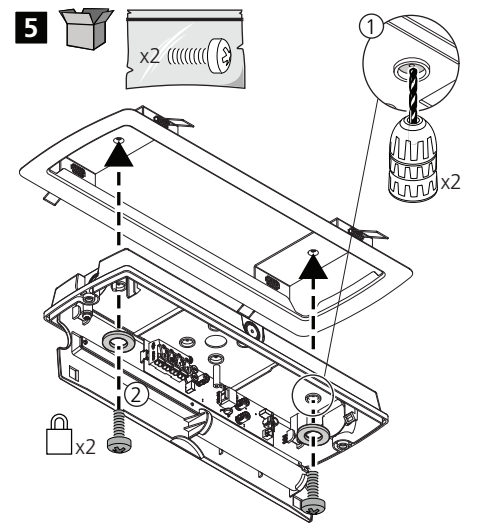
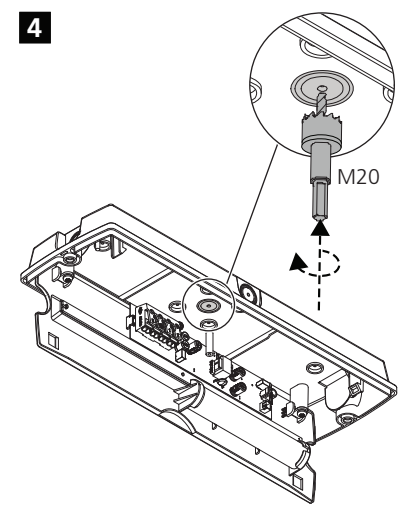
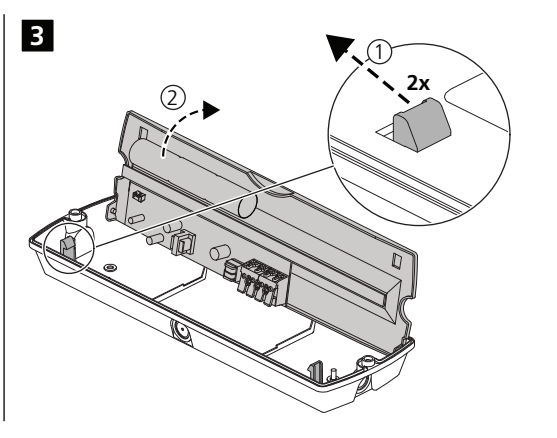
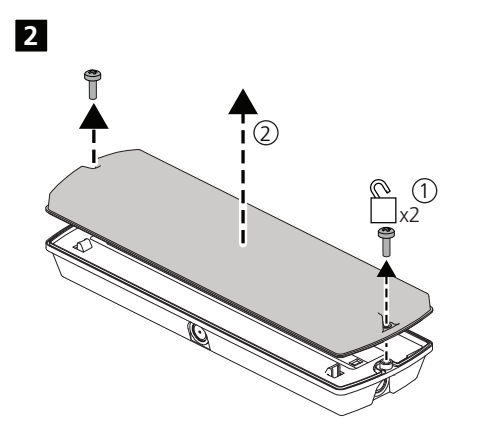
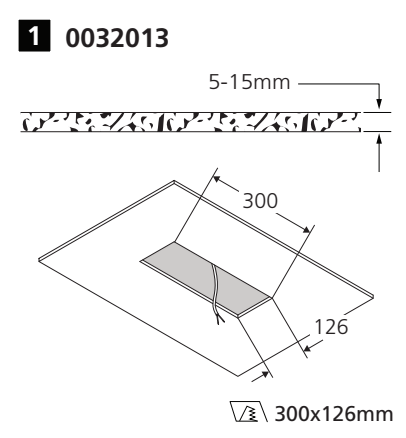
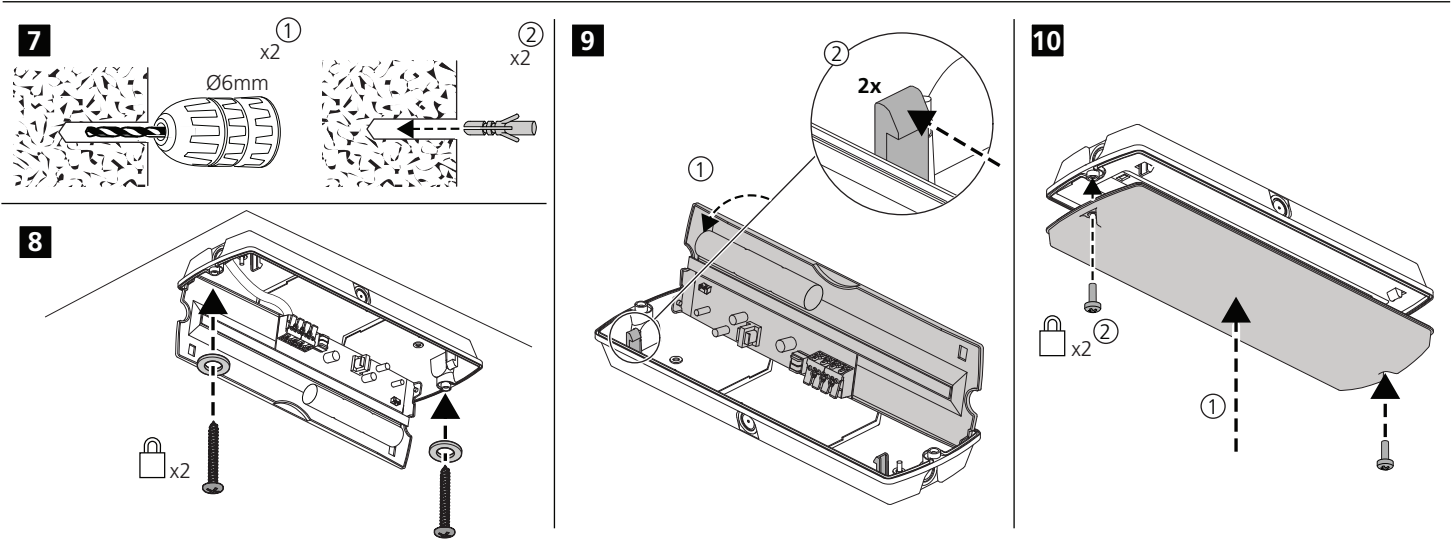
Commissioning Date: _____ Manuf. Date:yy/mm

4a ⚡ 220-240V~+ □

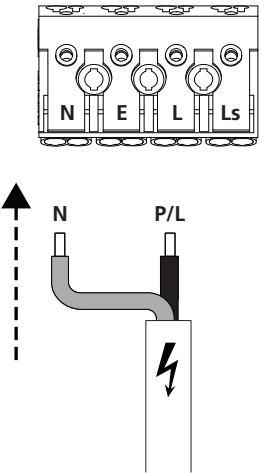


4b ⚡ 220-240V~+ □

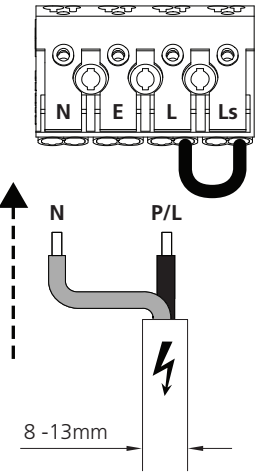




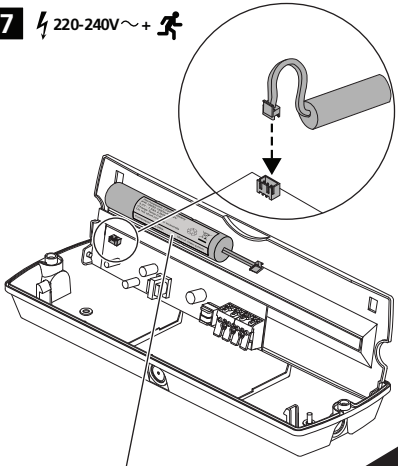
6a ⚡ 220-240V~+ □ →



6b ⚡ 220-240V~+ □ →



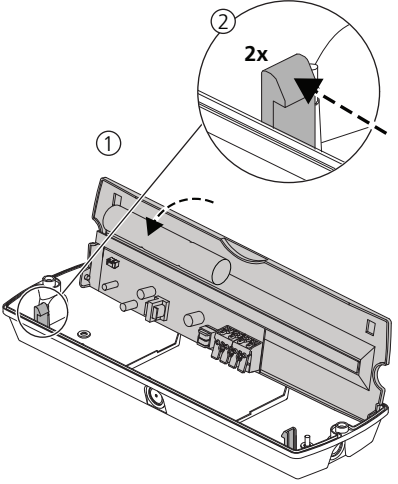
7 ⚡ 220-240V~+ ⚡



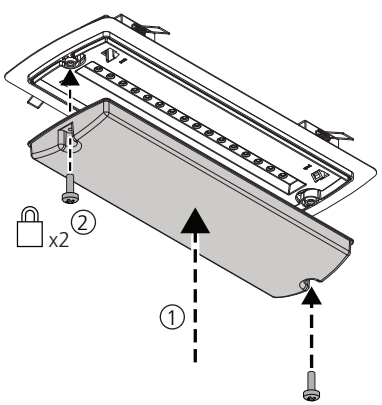
Rechargeable LiFePO4 Battery
 IFR-18650-1500mAh-3.2V
 3.2V - 1.5Ah 4.8Wh
 Charge Temp 0-60°C
 Do not short circuit or incinerate

Commissioning Date: _____ Manuf. Date:yy/mm

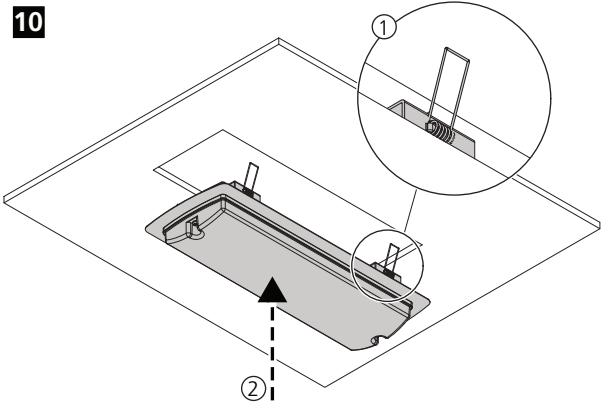
8



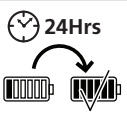
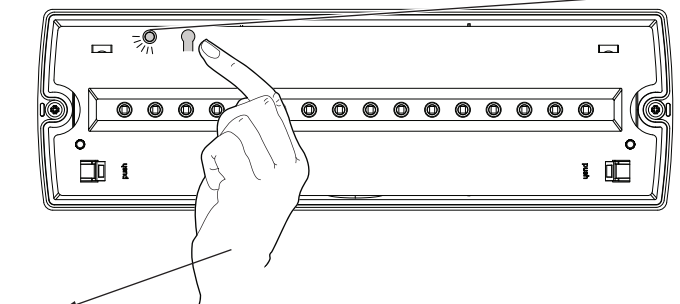
9



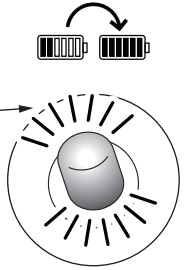
10



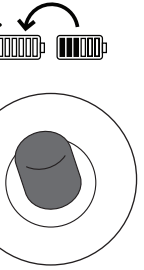
! ⚡ 0032012



1



2



□	<2s	TEST ⚡
	3-5s	TEST 🔋
	5-8s	TEST 💡 60s
	>10s	RESET ⌚

LED Colour	Status	ON	OFF	
Green	💡	∞	-	NORMAL
	💡💡	1s	1s	TEST 🔋
	💡💡💡💡💡	0.2s	0.2s	TEST 💡
Red	3x💡	0.5s	0.5s	RESET ⌚
	💡	∞	-	! 🔋
	💡💡	1s	1s	! 💡
OFF	💡💡💡💡💡	0.2s	0.2s	🔋
	💡	-	∞	⚡